



TOP TECH
With Excellent Surface

Abrasive Cutting

CK200/CK200A



Easy to operate
Fit well with any
kinds of samples

Good value
for money



Instruction

Model No.:CK200A



Operation video



Cutting Chamber
Enclosed space offer stable and quiet operating environment

Vise with patent right
Quick dual vises with powerful clamping force

Pneumatic supporting rod
Labor-saving while opening and closing the

Vise travel feeding
Vise feed in Y-axis

Recirculation coolant system

Top cover
Wide open cover easy for changing cut-off wheel and fix sample

Adjustable bench Levelers & Moveable sliding wheel

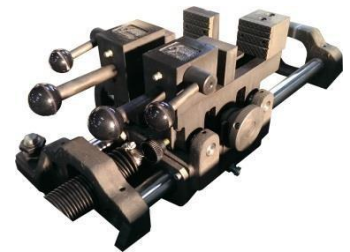
Manual/automatic switch clutch
Quick switch function
Loose: manual
Tight: Automatic



Features



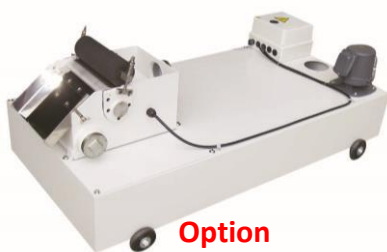
CK200A



**Standard vise-
Dual quick push clamp vise**
With the right/left vise a
movement 25mm in X-axis



CK200



**Option
Magnetic filtration recirculation
coolant system**
CK-003 (120L)
CK-003-1(160L)
CK-003-2(200L)



Recirculation coolant system (Standard)
Quick connector
Built in coolant fluid level gauge easy to check the
water level
Metal filtration panel prevent sample from falling
into tank during cutting



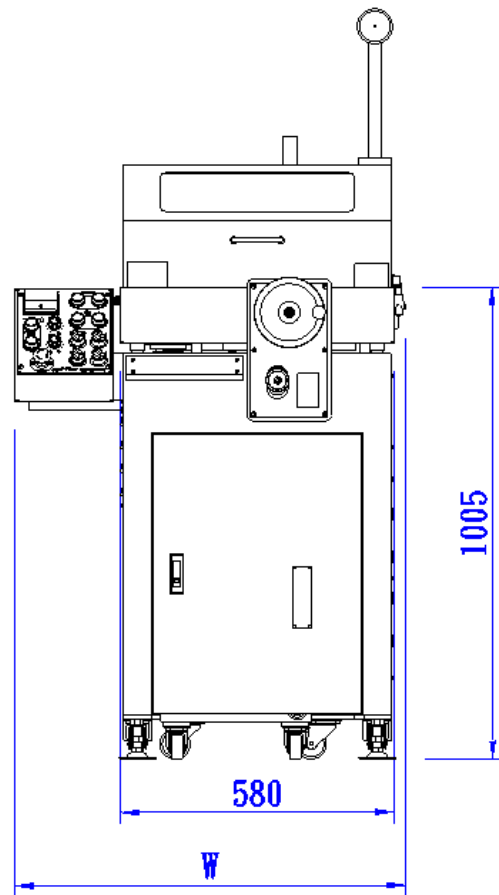
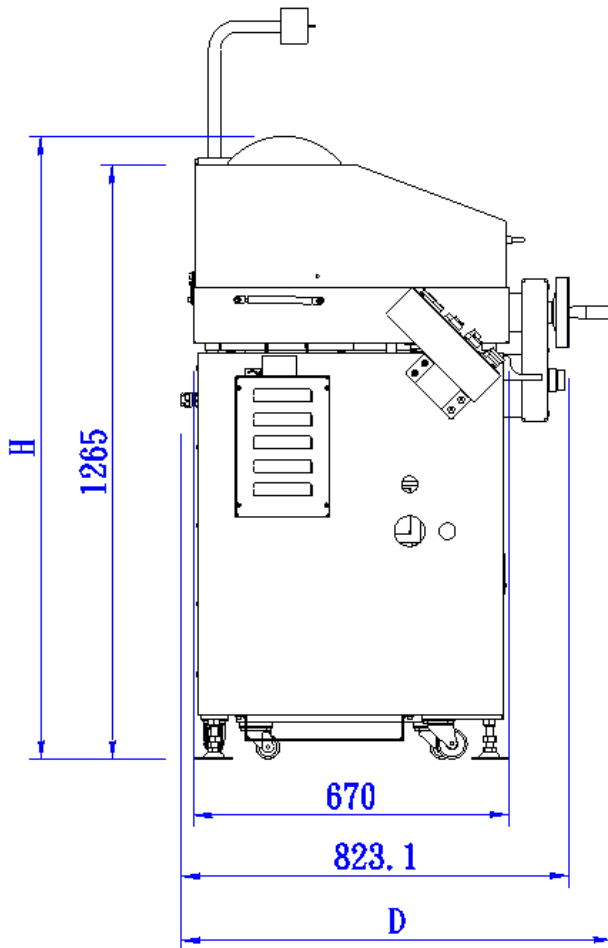
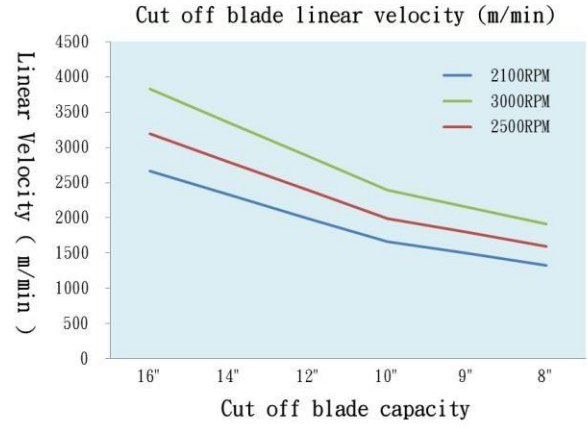
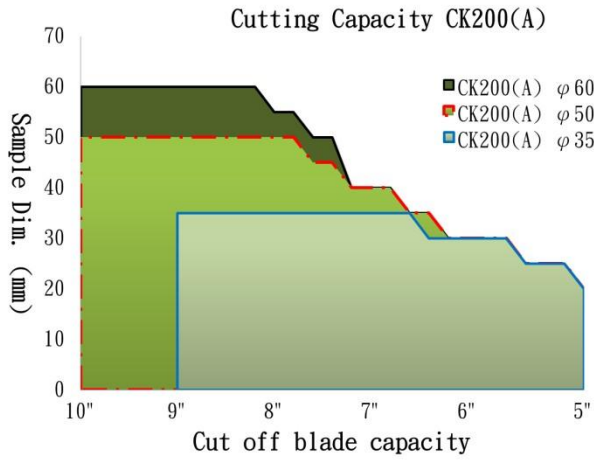
Specifications

Model No.	200			200A		
Vise Travel	200 mm					
Motor Power	1HP (750W)	2HP (1500W)	3HP (2300W)	1HP (750W)	2HP (1500W)	3HP (2300W)
Noise Level (idling)	70~72dB	70~74dB	70~75dB	70~72dB	70~74dB	70~75dB
Cutting Capacity	Appendix 1					
Cutting Chamber	Appendix 2					
Abrasive Wheel (Diameter & Arbor)	Ø230 x Ø31.75mm	Ø255 x Ø31.75mm		Ø230 x Ø31.75mm	Ø255 x Ø31.75mm	
Flange Diameter	Ø60			Ø60		
Feed Rate	Manual			15~150 mm/min (can be customized)		
Feed Method	Hand wheel control			Manual: Hand wheel control		
				Auto: home point return after cutting		
Rotational Speed	3000RPM(60Hz) / 2500RPM(50Hz)					
Vise	Dual quick push clamp vise					
Vise Dimension (WxH)						
Movement in X-axis						
Pump Motor Power	1/8HP (95W) (Three phases)					
Recirculation Cooling System	50L					
Machine Dimension (WxDxH)	83 x 85 x 130cm			83 x 85 x 130cm		
Machine Weight	212Kg	218Kg	230Kg	226Kg	230Kg	250Kg
Voltage	220/380VAC 3-phases (can be customized)					
Standard Accessories	Wrenchx2pcs, cut off bladex2pcs, coolant 3L					



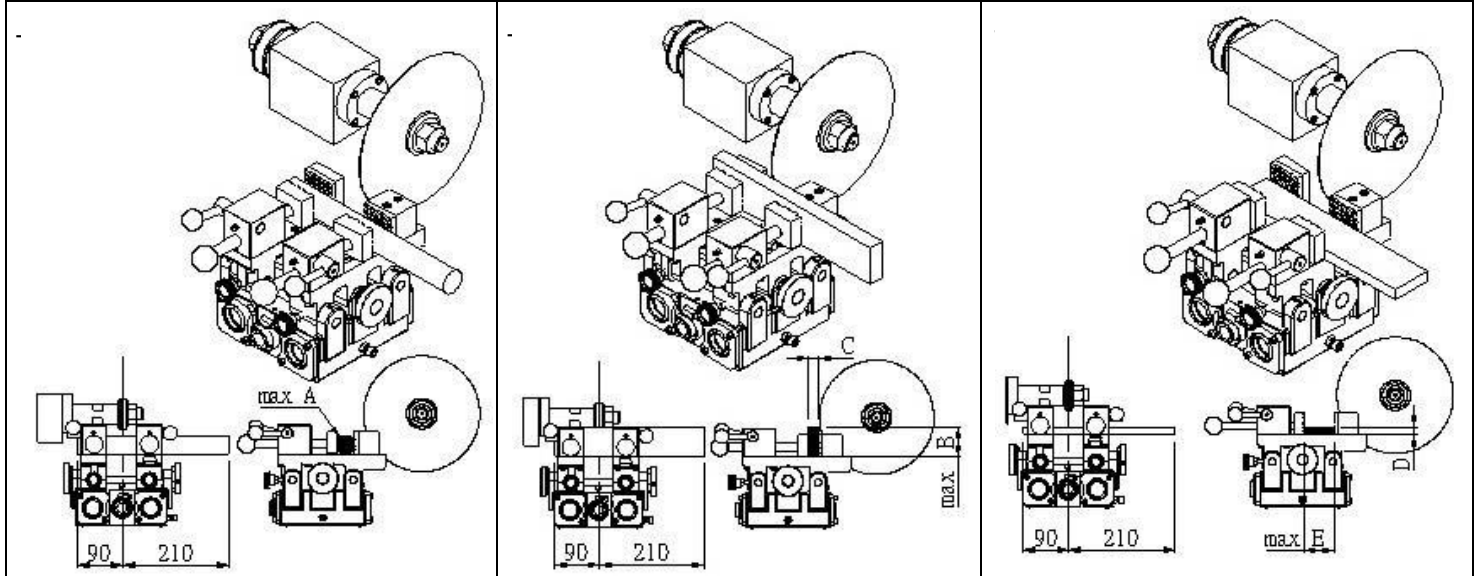
Parameter

For reference only





Appendix 1 – Dual quick push clamp vise (Standard)



Model	●		■		■	
	A(mm)	A cutting area(mm ²)	B(mm)	B x C	E(mm)	E x D
CK200(A)-1HP	Ø35	961.625	35	35x27.5	60	60x16.02
CK200(A)-2HP	Ø50	1962.5	50	50x39.25	60	60x32.7
CK200(A)-3HP	Ø60	2826	60	60x47.1	60	60x47.1

Square area surface calculation method:

The maximum height is B, the maximum width is E. $B \times C$ or $E \times D \leq A$ surface area.

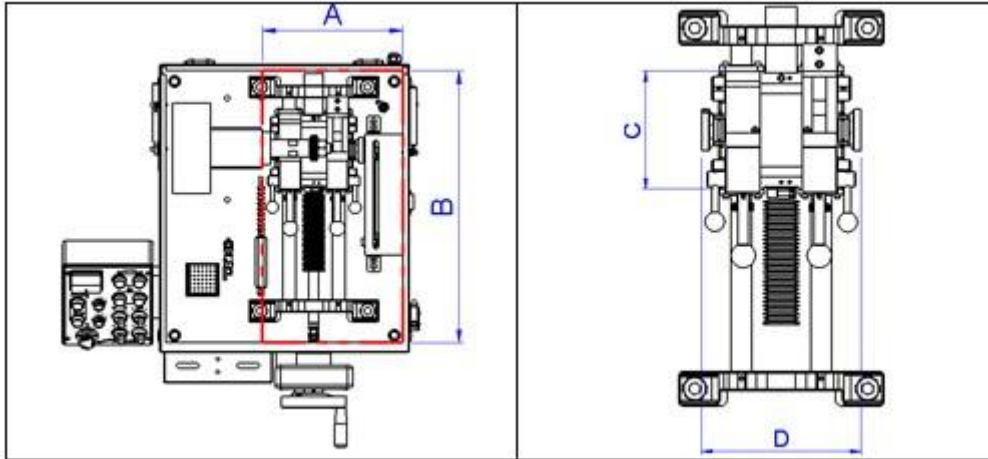
Material application: Alloy tool steel SKS, SKD, SKT, SUP as heat treatment mechanical metal components, ordinary carbon steel, mechanical structure steel S-C series, tool steel SK series, and soft steel SS series.

Surface area can be cut in according to its degree of heat treatment



TOP TECH
With Excellent Surface

Appendix 2 – Cutting Chamber Capacity



Model	A(mm)	B(mm)	C(mm)	D(mm)
CK200(A)-1HP	300	600	235	170
CK200(A)-2HP	300	600	235	170
CK200(A)-3HP	300	600	235	170

Metallographic Sample Preparation Equipment
Equipment of Materials Analysis
Metallographic Surface Preparation

TOP TECH
Perfect Surface Always

TOP TECH
Certificate: TW07A1390

CE

The advertisement features a large image of a microscope and a cutting chamber. Below this, there are several smaller images of different TOP TECH equipment models. The text includes the company name, a slogan, and certification information.



Consumables

Abrasive Wheel

Order No.	Materials	Model	Diameter* Arbor*Thickness	MOQ
S02A0101	Alloy tool steels SKS 、SKD 、SKT 、SUP heat treatment metal	CK200(A) (1HP)	9"(Ø230XØ31.75X1)	10
S02A0103	Alloy tool steels 、 Heat treatment metal	CK200(A) (1HP)	9"(Ø230XØ31.75X1.5)	10
S02B0101A	Ordinary carbon steel 、mechanical structural steel S-C series 、tool steel 、 soft steel SS series	CK200(A) (1HP)	9"(Ø230XØ31.75X1)	10
S02C0101	Special alloy steel 、 high-speed steel and other heat treatment components	CK200(A) (1HP)	9"(Ø230XØ31.75X1)	10
S02C0901	Special alloy steel 、high speed steel and other high hardness heat treatment components	CK200(A) (1HP)	9"(Ø230XØ32X1)	10
S02D0101	Ordinary cast iron FC for casting	CK200(A) (1HP)	9"(Ø230XØ31.75X1)	10
S02E0101	Non-iron metals 、copper alloy	CK200(A) (1HP)	9"(Ø230XØ31.75X1)	10
S02F0101	Bakelite 、Plastic 、sapphire	CK200(A) (1HP)	9"(Ø230XØ31.75X1)	10
S02A0202	Alloy tool steels SKS 、SKD 、SKT 、SUP heat treatment metal	CK200(A) (2&3HP)	10"(Ø255XØ31.75X1.2)	10
S02B0202A	Ordinary carbon steel 、mechanical structural steel S-C series 、tool steel 、 soft steel SS series	CK200(A) (2&3HP)	10"(Ø255XØ31.75X1.2)	10
S02C0202	Special alloy steel 、 high-speed steel and other heat treatment components	CK200(A) (2&3HP)	10"(Ø255XØ31.75X1.2)	10
S02D0202	Ordinary cast iron FC for casting	CK200(A) (2&3HP)	10"(Ø255XØ31.75X1.2)	10
S02D1002B	Ordinary cast iron FC for casting	CK200(A) (2&3HP)	10"(Ø255XØ32X1.2)	10



TOP TECH
With Excellent Surface

S02E0202	Non-iron metals 、 copper alloy	CK200(A) (2&3HP)	10"(ϕ 255X ϕ 31.75X1.2)	10
S02F0202	Bakelite 、 Plastic 、 Sapphire	CK200(A) (2&3HP)	10"(ϕ 255X ϕ 31.75X1.2)	10
S02N10AD	Ordinary carbon steel 、 mechanical structural steel S-C series 、 tool steel 、 soft steel SS series	CK200(A) (2&3HP)	10"(ϕ 250X ϕ 32X1.6)	10
S02N10ATC	Alloy tool steels SKS 、 SKD 、 SKT 、 SUP heat treatment metal	CK200(A) (2&3HP)	10"(ϕ 250X ϕ 32X1.6)	10
S02N10ATS	Special alloy tool steel 、 High-speed steel 、 heat treatment material	CK200(A) (2&3HP)	10"(ϕ 250X ϕ 32X1.6)	10
S02N10NF(SS)	Ordinary carbon steel 、 mechanical structural steel tool steel 、 soft steel series	CK200(A) (2&3HP)	10"(ϕ 250X ϕ 32X1.6)	10

Consumables

Diamond Saw

Order No.	Materials	Model	Diameter* Arbor*Thickness	MOQ	Remark
HW21111207	Non-iron material 、 non-metal material 、 precision cutting 、 high molecular material	CK200(A) (1HP)	8"(ϕ 200X ϕ 25.4X1)	1	Electroforming
HW21111208H	Non-iron material 、 non-metal material 、 precision cutting 、 high molecular material	CK200(A) (1HP)	8"(ϕ 200X ϕ 25.4X1.2)	1	Electroforming
HW21121203L	Non-iron material 、 non-metal material 、 precision cutting 、 high molecular material	CK200(A) (1HP)	8"(ϕ 200X ϕ 25.4X0.6)	1	Metal-bonded
HW21121207L	Non-iron material 、 non-metal material 、 precision cutting 、 high molecular material	CK200(A) (1HP)	8"(ϕ 200X ϕ 25.4X1)	1	Metal-bonded
HW21121510L	Non-iron material 、 non-metal material 、 precision cutting 、 high molecular material	CK200(A) (2&3HP)	10"(ϕ 250X ϕ 31.75X2)	1	Metal-bonded



TOP TECH

With Excellent Surface

CBN

Order No.	Materials	Model	Diameter* Arbor*Thickness	MOQ	Remark
HW21221503H	Iron material 、 chilled steel 、chilled cast iron 、super alloy 、thermal spray materials	CK200(A) (2&3HP)	10"(Ø250XØ31.75X2)	1	
HW21221510L	Iron material 、 chilled steel 、chilled cast iron 、super alloy 、thermal spray materials	CK200(A) (2&3HP)	10"(Ø250XØ31.75X2)	1	

Coolant

Order No.	Model	Capacity	Feature	MOQ	Remark
S01001	Coolant	20L	Creamy and high oil content	20L	
S01002	Coolant	1L	Creamy and high oil content	1L	

Remark: Welcome to get the more detail information of consumables in the follow link

<http://toptech.synology.me/Consumables/CuttingEN.pdf>





TOP TECH
With Excellent Surface

*Perfect Surface.
Always*

Cutting / Mounting / Grinding & Polishing / Spin Coater

TOP TECH MACHINES CO.,LTD

No.6-3,Siayuan Rd.,Dali,Taichung,412 Taiwan

Tel:886-4-24061658

Fax:886-4-24073200

<http://www.toptech.tw>

<http://toptech.snjapp.com>

E-mail: top@toptech.tw

Agent:

We reserve the right to change design without notice.

NO.A17-07



<http://www.toptech.tw>